

HDC-600LT Series Hall Current Sensor

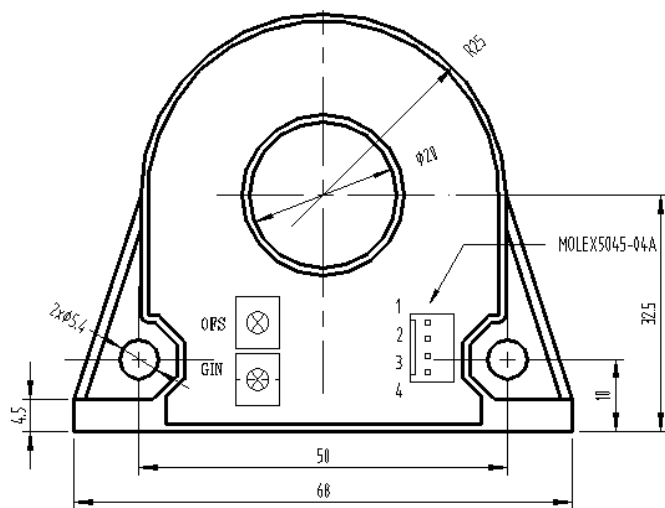
Introduction

HDC-600LT Series Hall current transducer is the new generation product based on Hall effect. It is able to measure DC, AC, pulse and other currents with irregular waves under the condition of electrical isolation.

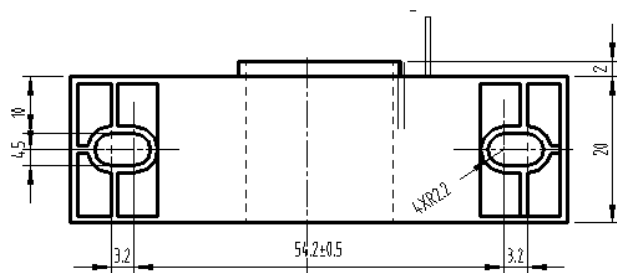
△Electrical Parameters (Ta=25℃)

Type		HDC-100LT	HDC-300LT	HDC-400LT	HDC-600LT
Parameters	Symbols				
Nominal measuring current	I_{PN}	100A	300A	400A	600A
Linear range	I_P	0~±300A	0~±900A	0~±1200A	0~±1200A
Nominal output voltage	V_{SN}	±4V±0.04V($R_L=10K\Omega$)			
Zero offset voltage	V_O	≤±0.03V($I_{PN}=0$)			
Temperature drift of bridge	V_{OT}	≤±1mV/℃			
Linear error	ξ_L	±1%			
Response time	T_r	≤5μS			
Supply voltage	V_C	±15V±5%			
Isolation voltage	V_d	2.5KV/50 or 60Hz/1min			
Power dissipation current	I_C	±20mA			
Frequency bandwidth	f	DC~50KHz(-3dB)			
Operating temperature	T_a	-25℃~+85℃			
Storage temperature	T_s	-40℃~+90℃			

△Dimensions: (mm)



Front view



Bottom view



Features:

- ◆ Use open-loop current transducer based on Hall effect
- ◆ Adopt UL94V-0-recognized insulated casing
- ◆ Flexible mounting
- ◆ Low power consumption
- ◆ Punching way has no insertion loss
- ◆ High immunity against external disturbance

Applications :

- ◆ AC variable-frequency speed control system
- ◆ Uninterruptible power supply (UPS)
- ◆ Battery supply
- ◆ Power supply for electric welding machine
- ◆ Communication power supply

Instructions for Use:

- ◆ Connect the wire of transducer in correct way as required.
- ◆ Inputting measured current from punched core of transducer, the in-phase voltage signal can be obtained from output end by sampling.

Connection and adjustment:

- ◆ 1: +Vc (+15V)
- ◆ 2: -Vc (-15V)
- ◆ 3: Output
- ◆ 4: 0V
- ◆ OFS: Offset
- ◆ GIN: Gain